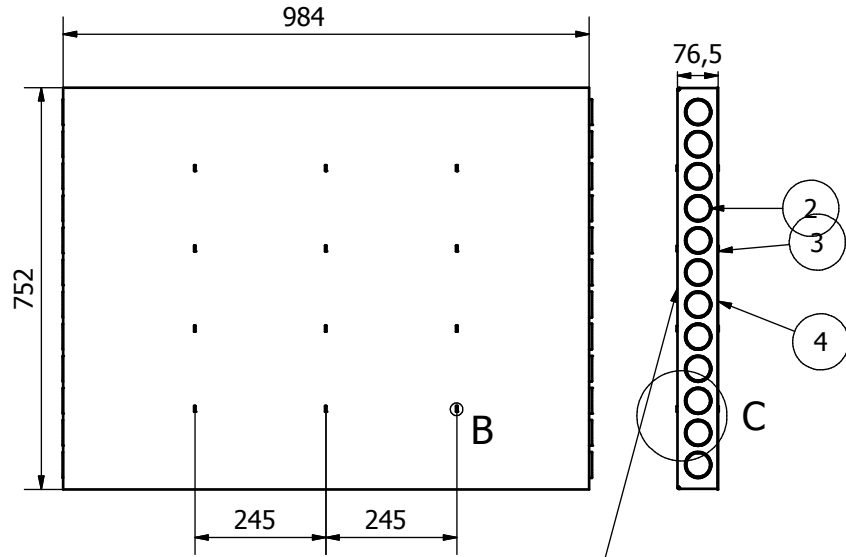
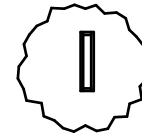


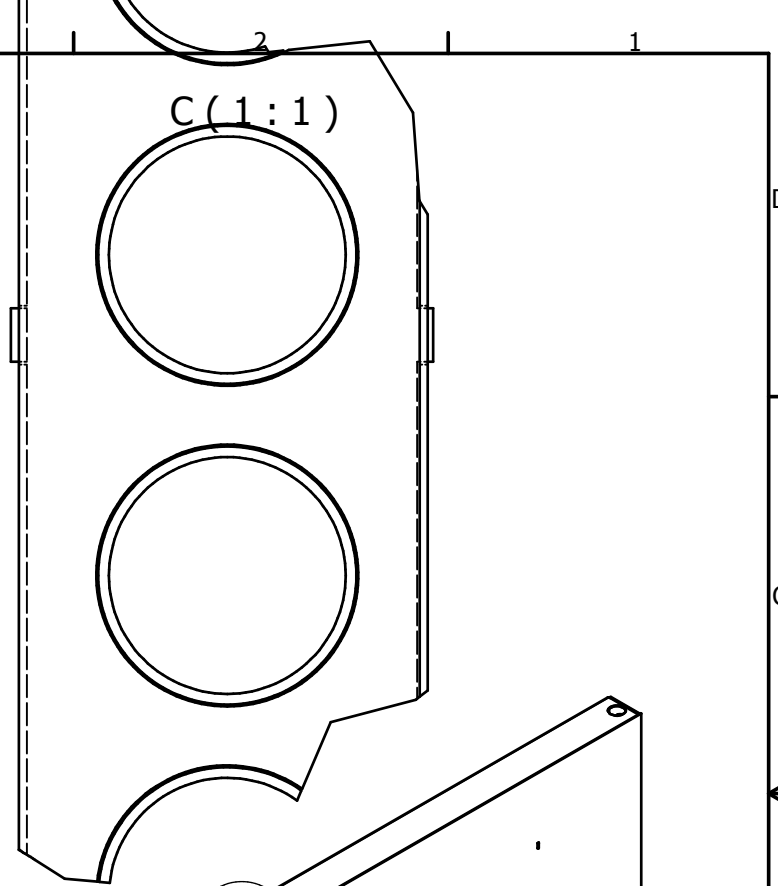
VIEW1 ( 0.1 )



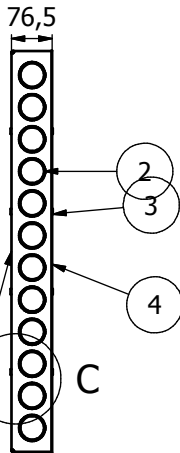
B ( 1 : 1 )



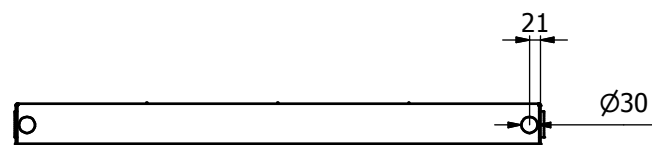
C ( 1 : 1 )



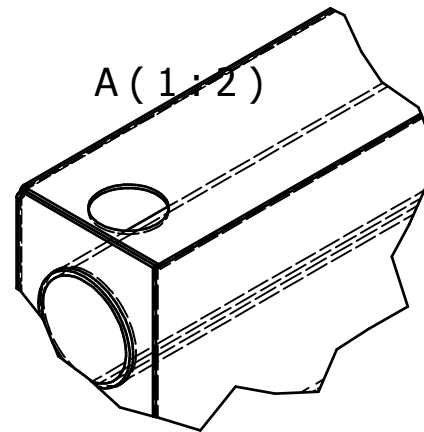
1



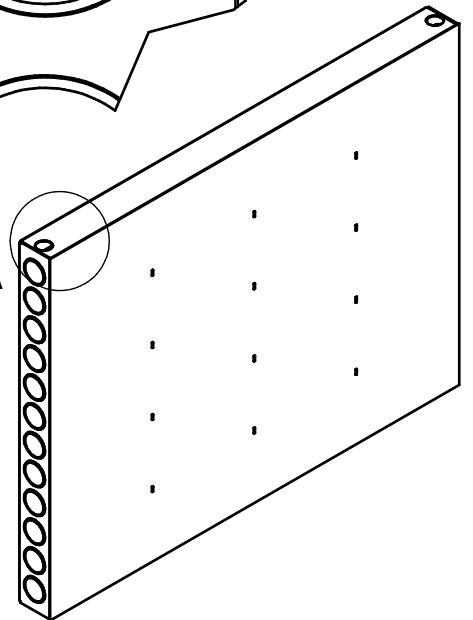
21



A ( 1 : 2 )



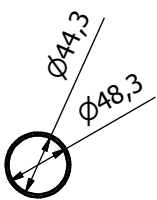
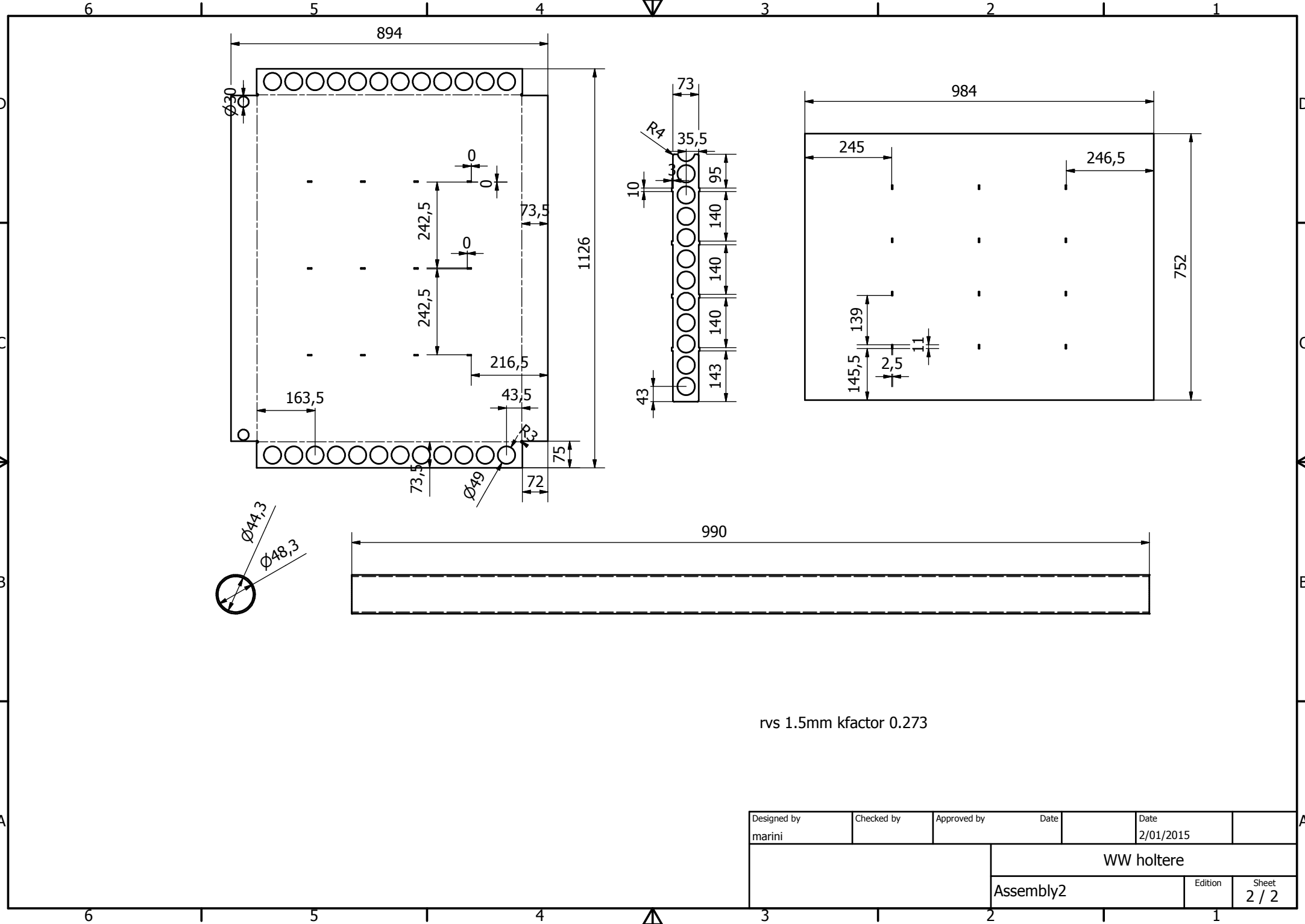
A



PARTS LIST

ITEM	QTY	PART NUMBER	DESCRIPTION
1	1	buitenplaat01	
2	12	buisvlampijp	
3	3	tussenplaat	
4	1	buitenplaat03	

Designed by marini	Checked by	Approved by	Date	Date 2/01/2015	
			WW holtere		
			Assembly2	Edition	Sheet 1 / 2



rvs 1.5mm kfactor 0.273

Designed by marini	Checked by	Approved by	Date	Date 2/01/2015	
			WW holtere		
Assembly2				Edition	Sheet 2 / 2